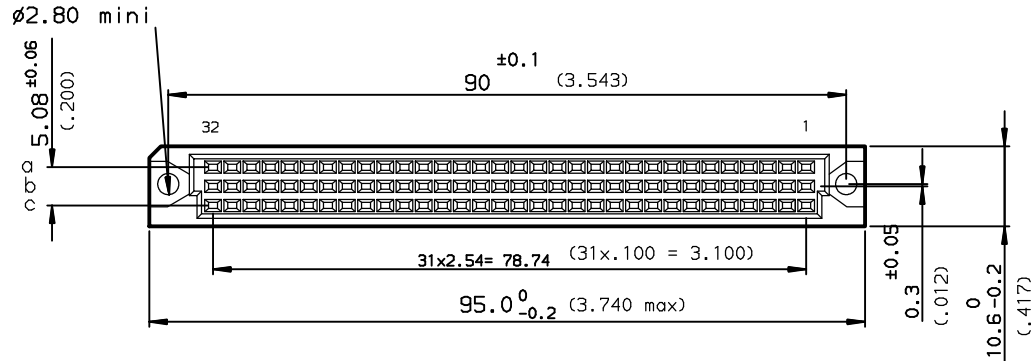
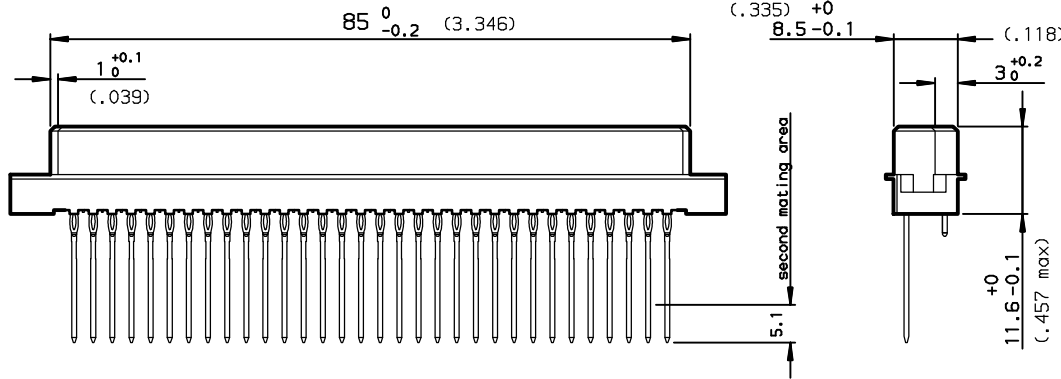
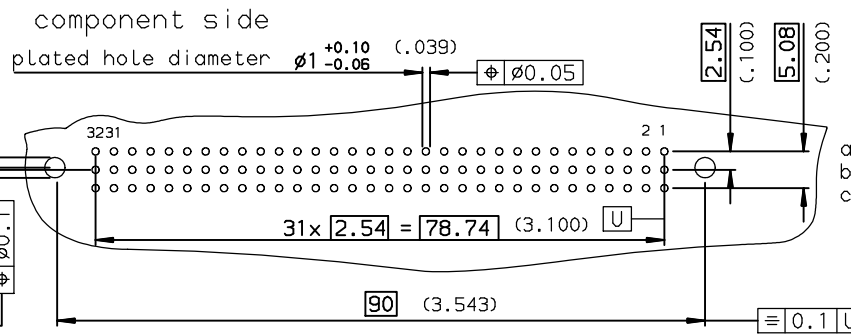


DIMENSIONS mm (inches)

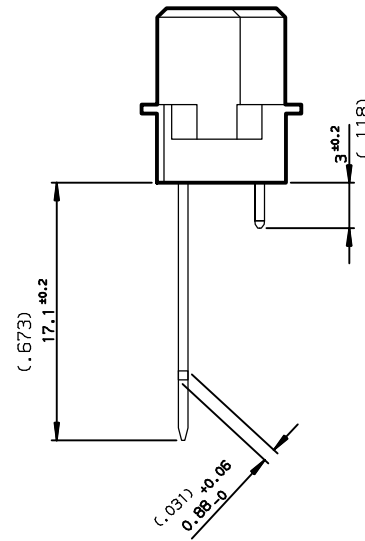


PCB DRILLING

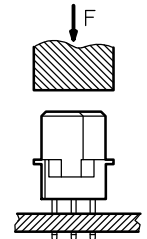


SPECIFICATION 729 = specific termination : 17.1 mm row a  
OR SPECIFICATION CK = 3 mm row c

TERMINATION



METHOD OF INSERTION ON THE PCB = FLAT ROCK



TIN LEAD PART NUMBER

PART NUMBER  
86094648190755729A

LEAD FREE PART NUMBER

PART NUMBER  
86094648190755CKLF

GENERAL CHARACTERISTICS AND ROHS INFORMATIONS:

SEE DRAWING C-8609-0000C

European Views

www.fciconnect.com		surface ISO 1302 ✓	tolerance std ISO 406 ISO 1101	projection mm
TOLERANCES UNLESS OTHERWISE SPECIFIED				
Dr	LELEON	2003/01/14	ANGULAR	size A3
Eng	TARON	2003/01/14	LINEAR	Scale 1.5
Chr	LEGARE	2003/01/14	0.xx ±2*	ECN L506-0095
Appr	LEGARE	2003/01/14	0.xxx ±0.1	Spec ref -
Product family			DIN 8609	
title STRAIGHT RECEPTACLE PRESSFIT SELECTIVE LOAD 64 WAYS		drawing no C-8609-1149		Rev. C
catalog no		CUSTOMER sheet 1 of 1		

rev	ecn no	dr	date
A	-	-	2003/01/14
B	LS05-004	JTA	2005/02/26
C	LS06-0095	LGO	2006/06/28
-	-	-	-
-	-	-	-
-	-	-	-



Copyright FCI.